

TRI  **ACADEMY**

TRI 
dental implants

Impression Options

Version 2

Through Research Innovative
www.tri-implants.com

Impression Taking

TRI[®]-Vent & TRI[®]-Narrow & TRI[®]-Octa



- Prosthetic platforms
- Healing Collars
- Implant Analogs
- Diameter
- Components for Impression Transfer

Prosthetic Platform

ONE SIZE FITS ALL



TRI[®]-Narrow

Ideal with limited horizontal bone.



Ø 3.2 mm

TRI[®]-Vent

The bone level implant for all indications.



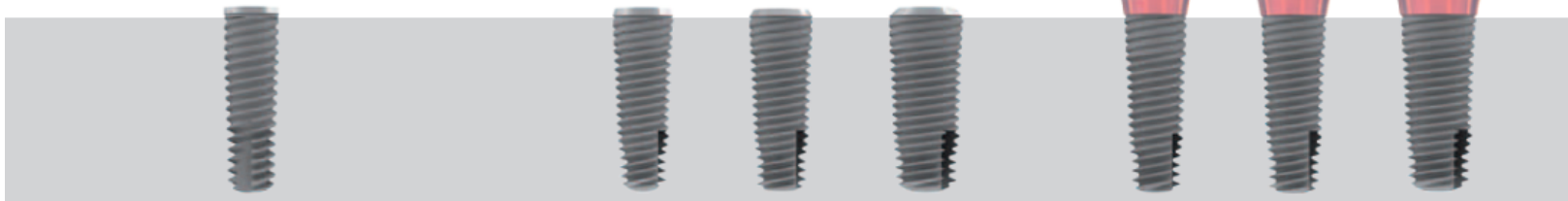
Ø 3.5 mm

TRI[®]-Octa

The tissue level implant for esthetic results in the posterior region.



Ø 4.8 mm



Through Research Innovative

Healing Collars



TRI[®]-Narrow

- One Platform
- Two Diameters
- Three Cuff Heights



Ø 3.2 mm

TRI[®]-Vent

- One Platform
- Two Diameters
- Three Cuff Heights



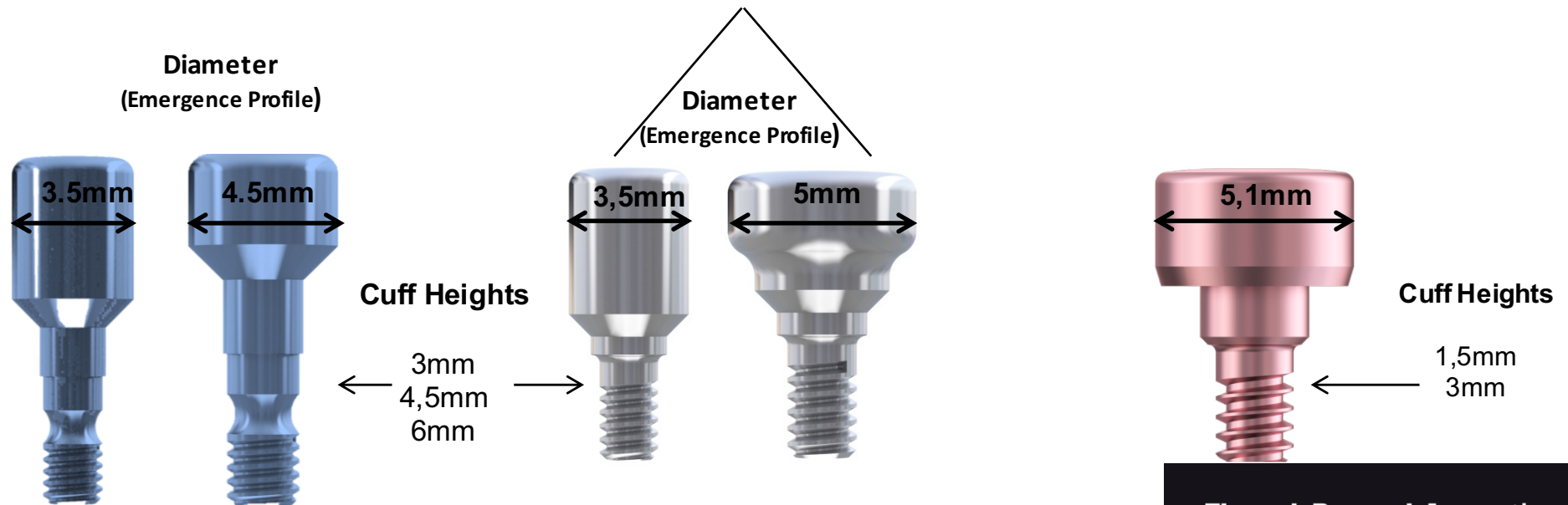
Ø 3.5 mm

TRI[®]-Octa

- One Platform
- One Diameter
- Two Cuff Heights



Ø 4.8 mm



Through Research Innovative

Implant Analogs

TRI[®]-Narrow & TRI[®]-Vent & TRI[®]-Octa



Ø 3.2 mm



TNIA-1



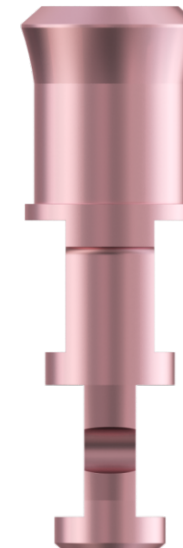
Ø 3.5 mm



TVIA-1



Ø 4.8 mm



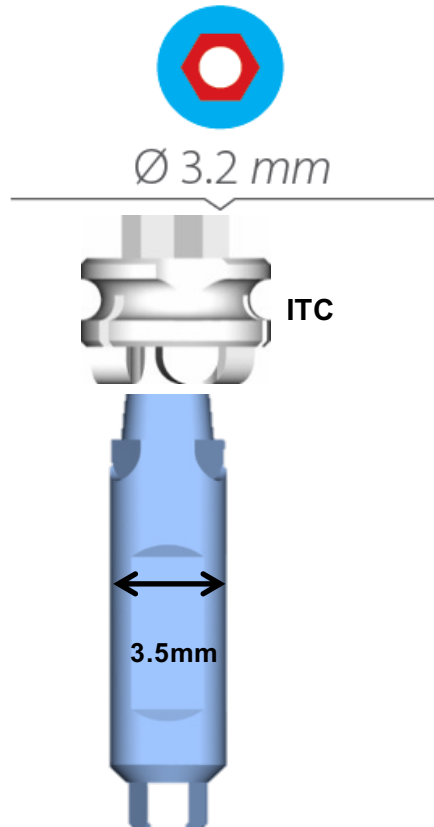
TOIA

Through Research Innovative

Impression Transfer Components

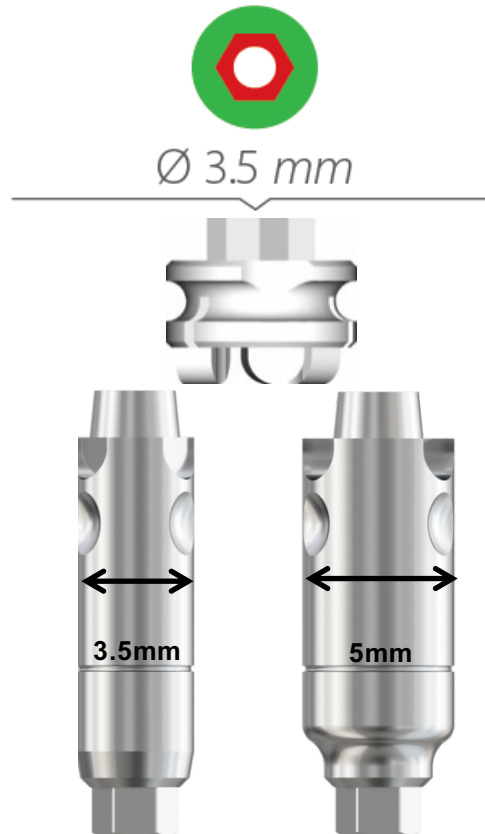


TRI[®]-Narrow & TRI[®]-Vent & TRI[®]-Octa
Indirect Transfer /Straight Abutmen for Closed Impression



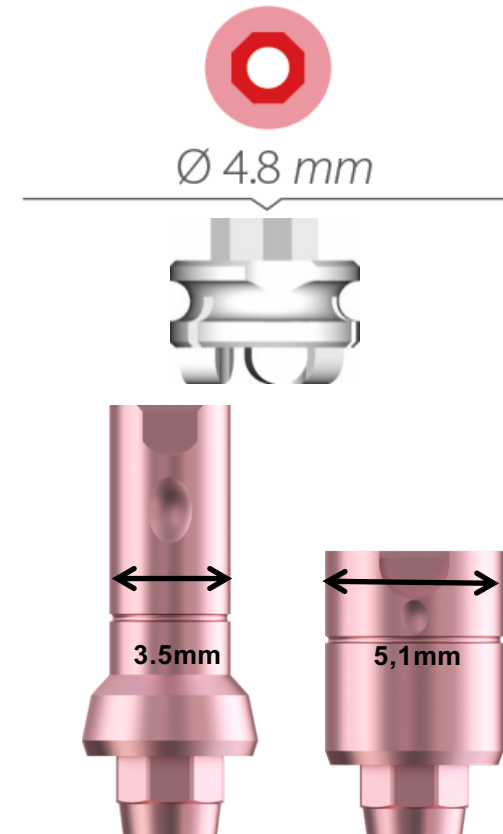
TRI[®]-Narrow

- indirect Transfer only !!!



TRI[®]-Vent

- Indirect Transfer/Straight Abutment without TRI[®]-Friction



TRI[®]-Octa

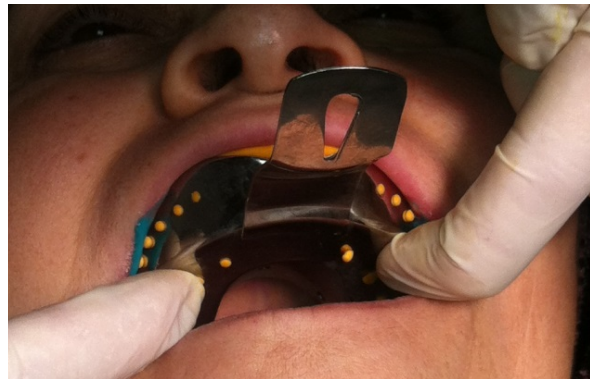
- Indirect Transfer/Straight Abutment

Through Research Innovative

Impression Transfer Components

TRI[®]-Narrow & TRI[®]-Vent & TRI[®]-Octa

Indirect Impression



Through Research Innovative

Impression Transfer Components

TRI[®]-Narrow & TRI[®]-Vent & TRI[®]-Octa

Indirect Impression

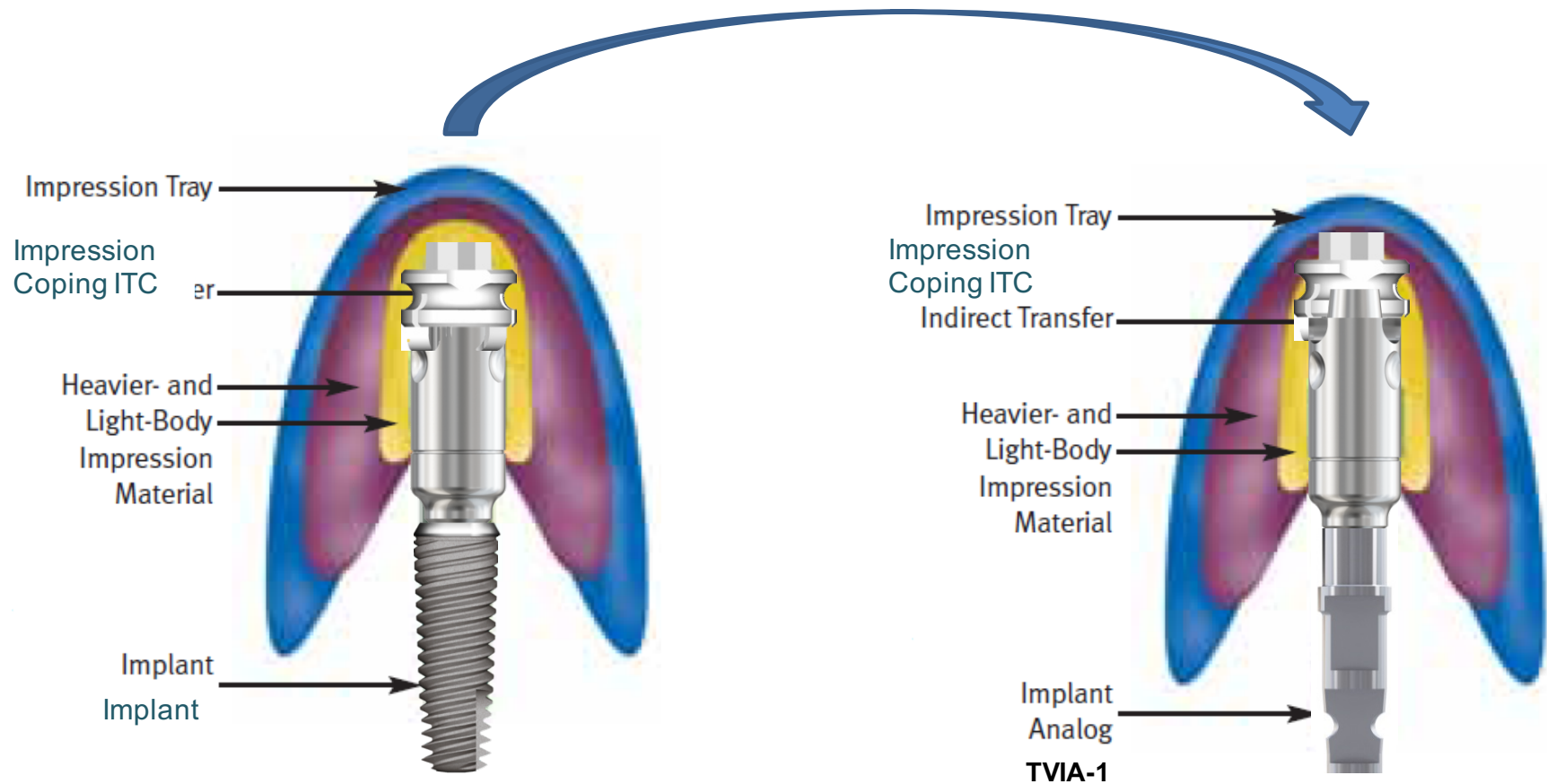


Through Research Innovative

Impression Transfer Components

TRI[®]-Narrow & TRI[®]-Vent & TRI[®]-Octa

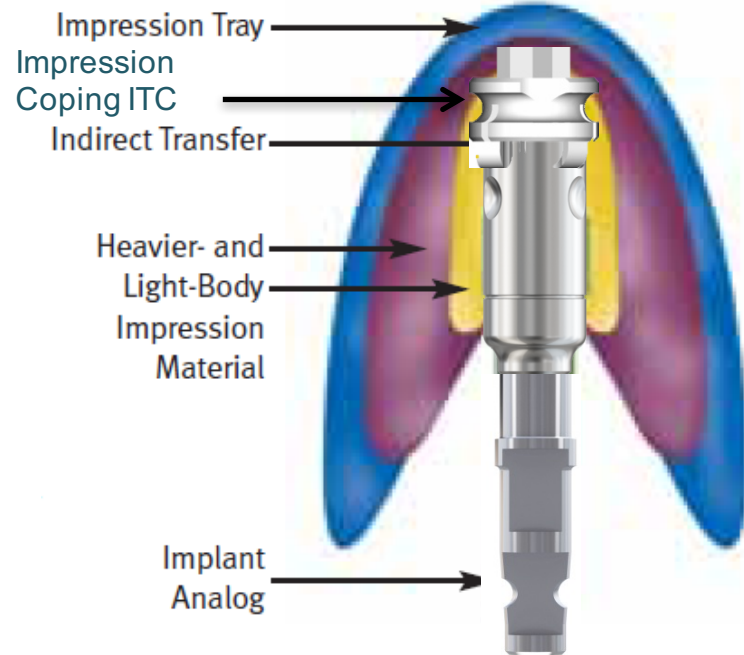
Indirect Impression



Impression Transfer Components

TRI[®]-Narrow & TRI[®]-Vent & TRI[®]-Octa

Indirect Impression



Impression Transfer Components

TRI[®]-Narrow & TRI[®]-Vent & TRI[®]-Octa

Indirect Impression

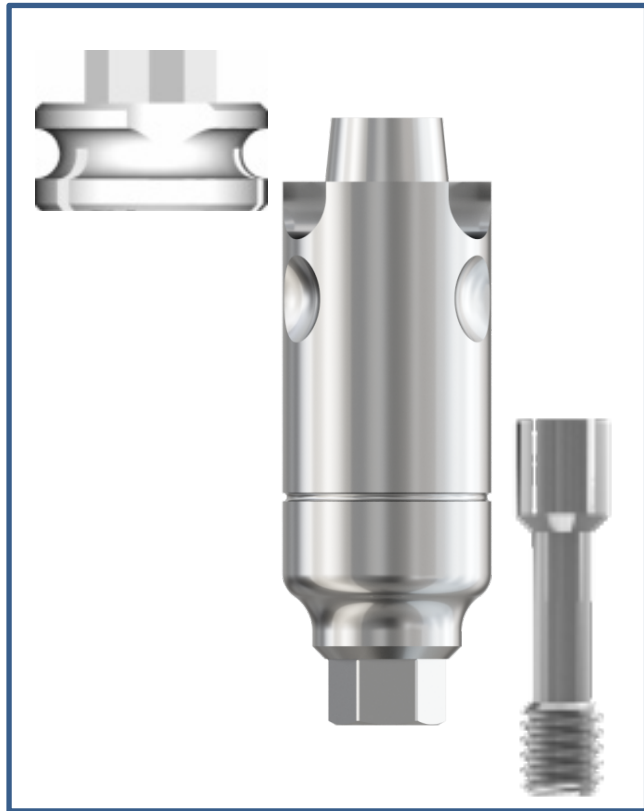


Stone model with removable soft tissue material.

Cemented Retained Prosthetic

Temporary or permanent treatment –
TRI[®]-Vent & TRI[®]-Octa

Transfer and Straight Abutment, incl. ITC

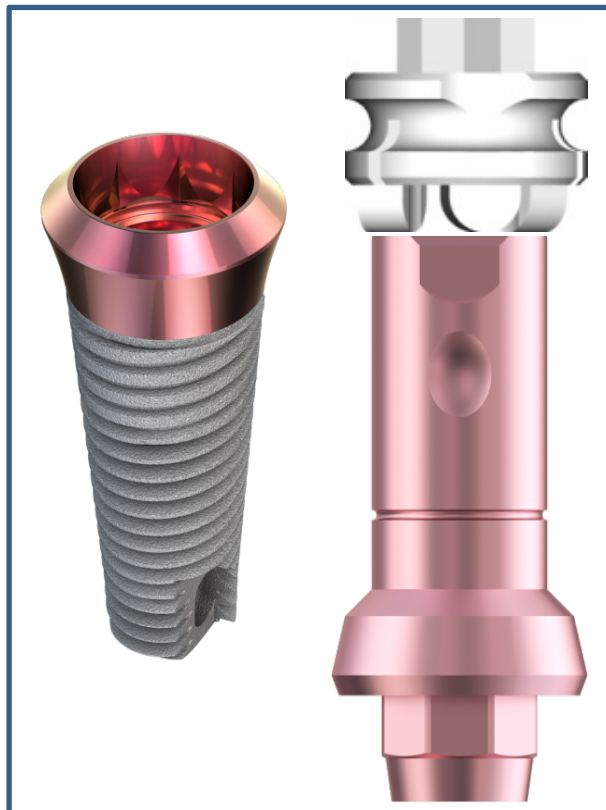


- This universal abutment can be used as an impression post, temporary and/or final abutment without TRI[®]-Friction.

Cemented Retained Prosthetic

Temporary or permanent treatment –
TRI[®]-Vent & TRI[®]-Octa

Transfer and Straight Abutment, incl. ITC



- This universal abutment can be used as an impression post, temporary and/or final abutment.



Impression Transfer Components

TRI[®]-Narrow & TRI[®]-Vent & TRI[®]-Octa
Direct Transfer for Open-Tray Impression



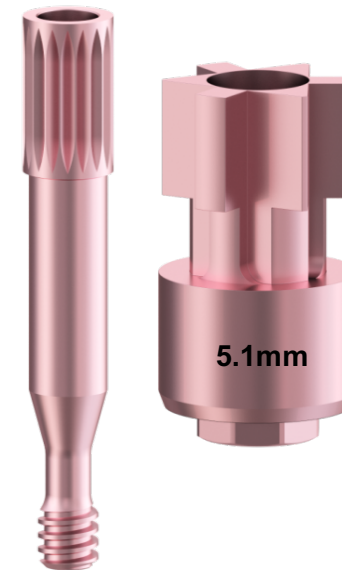
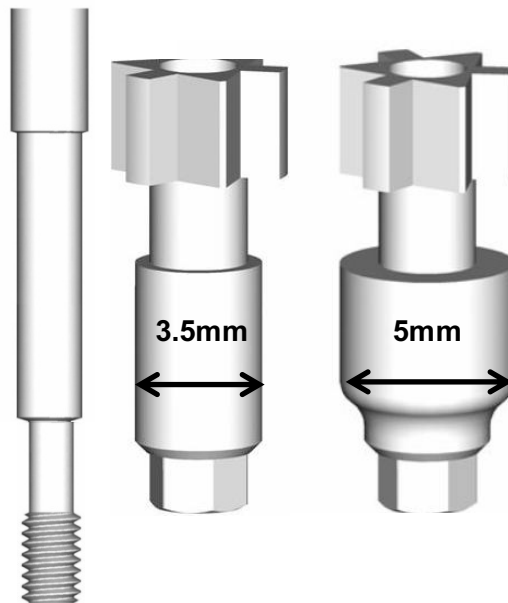
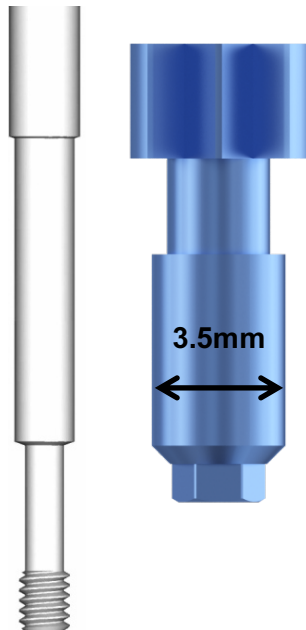
Ø 3.2 mm



Ø 3.5 mm



Ø 4.8 mm

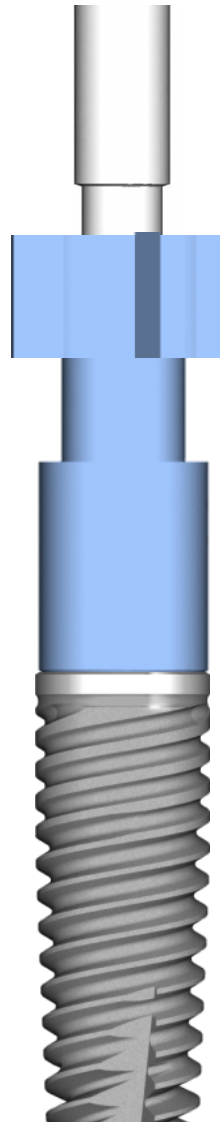


Through Research Innovative

Impression Transfer Components

TRI[®]-Narrow & TRI[®]-Vent & TRI[®]-Octa

Direct Impression

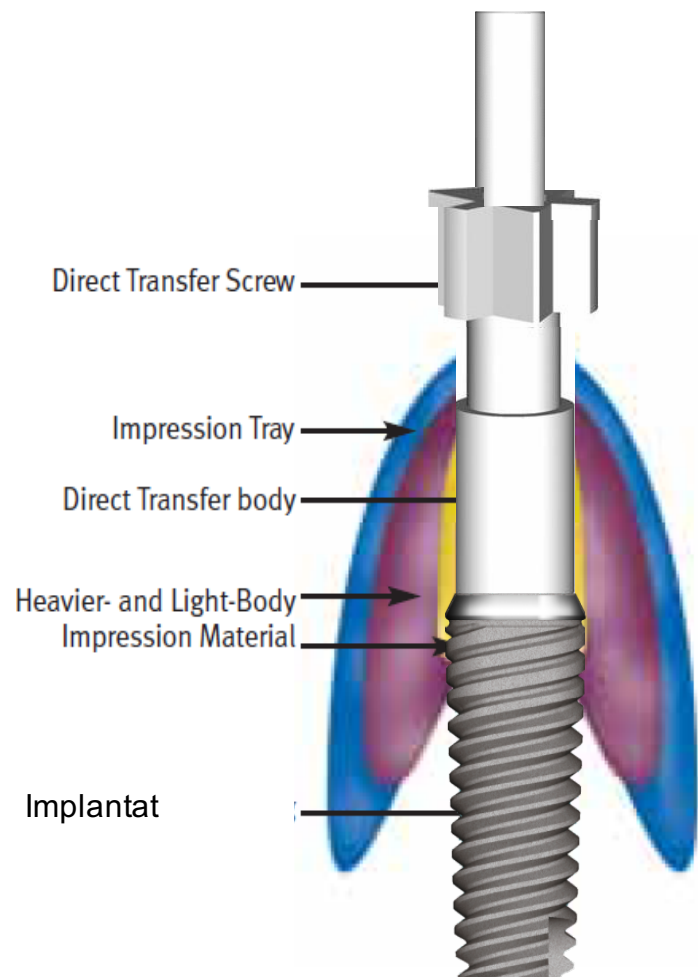


Through Research Innovative

Impression Transfer Components

TRI[®]-Narrow & TRI[®]-Vent & TRI[®]-Octa

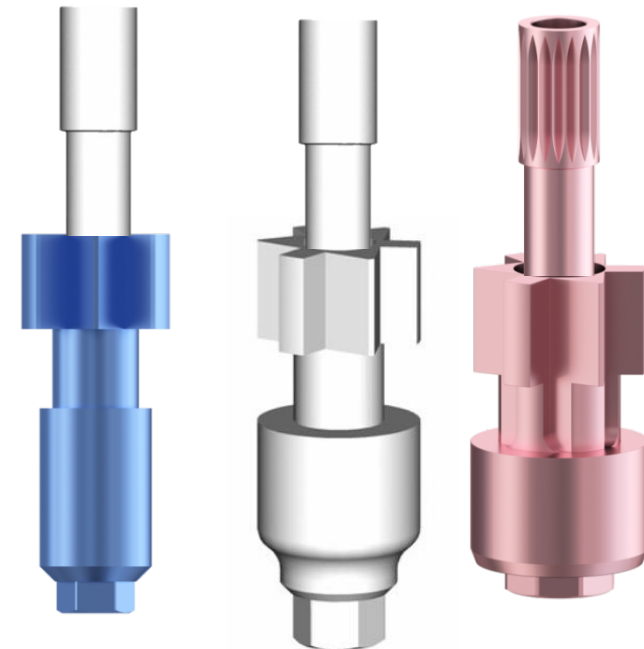
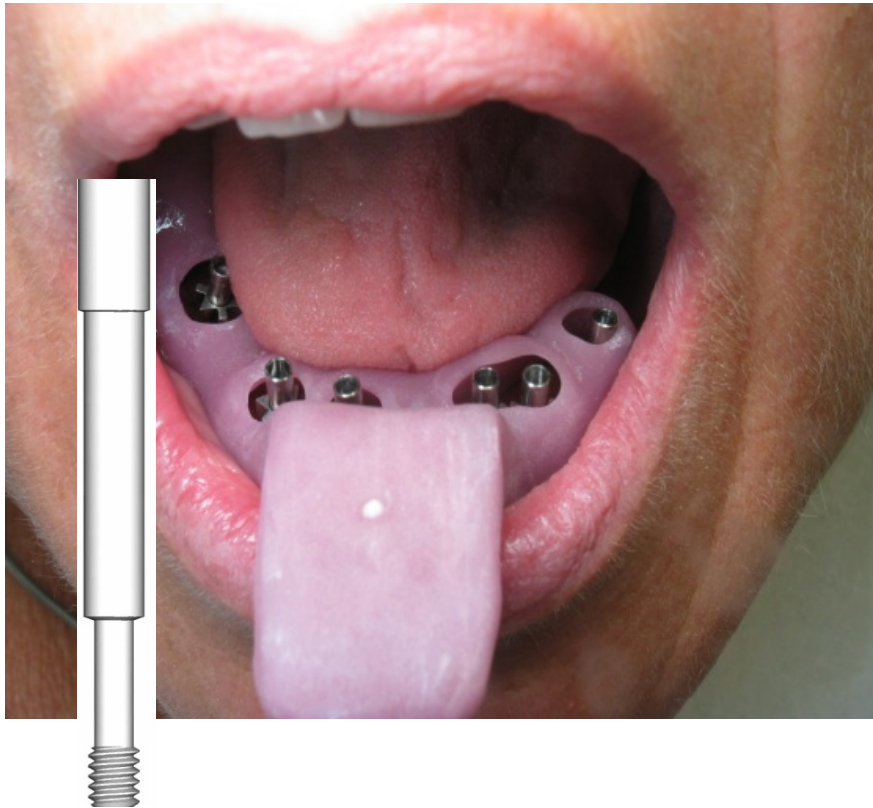
Direct Impression



Impression Transfer Components

TRI[®]-Narrow & TRI[®]-Vent & TRI[®]-Octa

Direct Impression



Through Research Innovative

Impression Transfer Components



TRI®-Vent Prosthetics

TRI®- VENT PROSTHETICS 3.5 mmD Implant Platform

Healing Collars, Implant Analogs

TISSUE HEALING - HEALING COLLAR

Catalog Number		Ø	CH	Material	Qty	Sterile
TVHC35-30	Healing Collar	3.5 mm	3.0 mm	Ti-6Al-4V	1	☑
TVHC35-45	Healing Collar	3.5 mm	4.5 mm	Ti-6Al-4V	1	☑
TVHC35-60	Healing Collar	3.5 mm	6.0 mm	Ti-6Al-4V	1	☑
TVHC35-60-A	Suture Healing Collar	3.5 mm	6.0 mm	Ti-6Al-4V	1	☑
TVHC50-30	Healing Collar	5.0 mm	3.0 mm	Ti-6Al-4V	1	☑
TVHC50-45	Healing Collar	5.0 mm	4.5 mm	Ti-6Al-4V	1	☑
TVHC50-60	Healing Collar	5.0 mm	6.0 mm	Ti-6Al-4V	1	☑
TVHC50-60-A	Suture Healing Collar	5.0 mm	6.0 mm	Ti-6Al-4V	1	☑

CH = Cuff Height



SURGICAL COVER SCREWS

Catalog Number		Ø	Material	Qty	Sterile
TVSCS		3,5 mm	Ti-6Al-4V	1	☑
TVSCS-SL		5,2 mm	Ti-6Al-4V	1	☑



Impression Transfer Components and Multi-Functional Abutments

DIRECT TRANSFER FOR OPEN-TRAY IMPRESSIONS - INCLUDES SCREW DTRS-TV05

Catalog Number		Ø	Material	Qty
TV05-35	Direct Transfer Component	3.5 mm	Ti-6Al-4V	1
TV05-50	Direct Transfer Component	5.0 mm	Ti-6Al-4V	1
DTRS-TV05	Direct Transfer Retaining Screw		Ti-6Al-4V	1



INDIRECT TRANSFER / STRAIGHT ABUTMENT FOR CLOSED-TRAY IMPRESSIONS

CLOSED-TRAY IMPRESSIONS - INCLUDES SCREW RS-TV10 AND IMPRESSION CAP ITC

Catalog Number		Ø	Material	Qty
TV10-35-ITC	Transfer and Straight Abutment	3.5 mm	Ti-6Al-4V	1
TV10-50-ITC	Transfer and Straight Abutment	5.0 mm	Ti-6Al-4V	1
ITC	Indirect Transfer Cap		POM	5
RS-TV10	Replacement Retaining Screw		Ti-6Al-4V	1
RS-TV10-Lab	Replacement Retaining Screw - Lab Use - Green		Ti-6Al-4V	1



Impression Transfer Components



TRI®- NARROW PROSTHETICS 3.2 mmD Implant Platform

TRI®-Narrow Prosthetics

Healing Collars, Implant Analogs - Color Coded Blue

TISSUE HEALING - HEALING COLLAR

Catalog Number		Ø	CH	Material	Qty	Sterile
TNHC35-30	Healing Collar	3.5 mm	3.0 mm	Ti-6Al-4V	1	
TNHC35-45	Healing Collar	3.5 mm	4.5 mm	Ti-6Al-4V	1	
TNHC35-60	Healing Collar	3.5 mm	6.0 mm	Ti-6Al-4V	1	
TNHC35-60-A	Suture Healing Collar	3.5 mm	6.0 mm	Ti-6Al-4V	1	
TNHC45-30	Healing Collar	4.5 mm	3.0 mm	Ti-6Al-4V	1	
TNHC45-50	Healing Collar	4.5 mm	5.0 mm	Ti-6Al-4V	1	

CH = Cuff Height



SURGICAL COVER SCREW

Artikelnummer	Ø	Material	Menge	
TNSCS	3,2 mm	Ti-6Al-4V	1	



Impression Transfer Components - Color Coded Blue

DIRECT TRANSFER FOR OPEN-TRAY IMPRESSIONS - INCLUDES SCREW DTRS-TN05

Catalog Number		Ø	Material	Qty
TN05-35	Direct Transfer Component	3.5 mm	Ti-6Al-4V	1
DTRS-TN05	Direct Transfer Retaining Screw		Ti-6Al-4V	1



INDIRECT TRANSFER FOR CLOSED-TRAY IMPRESSIONS - INCLUDES SCREW RS-TN10 AND IMPRESSION CAP ITC

Catalog Number		Ø	Material	Qty
TN06-35-ITC	Indirect Transfer Component	3.5 mm	Ti-6Al-4V	1
RS-TN10	Replacement Retaining Screw		Ti-6Al-4V	1



IMPLANT ANALOG

Catalog Number		Material	Qty
TNIA-1	Implant Analog	Ti-6Al-4V	1
TNIA-5	Implant Analog (5 Pack)	Ti-6Al-4V	5



Through Research Innovative

Impression Transfer Components



TRI®- OCTA PROSTHETICS

4.8 mmD Implant Platform

Healing Collars, Implant Analogs

TISSUE HEALING - HEALING COLLAR

Catalog Number		Ø	CH	Material	Qty	Sterile
TOSCS	Surgical Cover Screw	3.5 mm		Ti-6Al-4V	1	
TOHC51-15	Healing Collar	5.1 mm	1.5 mm	Ti-6Al-4V	1	
TOHC51-30	Healing Collar	5.1 mm	3.0 mm	Ti-6Al-4V	1	

CH = Cuff Height



Impression Transfer Components and Multi-Functional Abutments

DIRECT TRANSFER FOR OPEN-TRAY IMPRESSIONS - INCLUDES SCREW DTRS-TO05

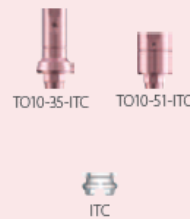
Catalog Number		Ø	Material	Qty
TO05-51	Direct Transfer Component	5.1 mm	Ti-6Al-4V	1
DTRS-TO05	Direct Transfer Retaining Screw		Ti-6Al-4V	1



INDIRECT TRANSFER / STRAIGHT ABUTMENT FOR CLOSED-TRAY IMPRESSIONS

INCLUDES SCREW RS-TO10 AND IMPRESSION CAP ITC

Catalog Number		Ø	Material	Qty
TO10-35-ITC	Transfer and Straight Abutment	3.5 mm	Ti-6Al-4V	1
TO10-51-ITC	Transfer and Straight Abutment	5.1 mm	Ti-6Al-4V	1
DTRS-TO05	Direct Transfer Retaining Screw		Ti-6Al-4V	1
ITC	Indirect Transfer Cap		POM	5
RS-TO	Replacement Retaining Screw		Ti-6Al-4V	1



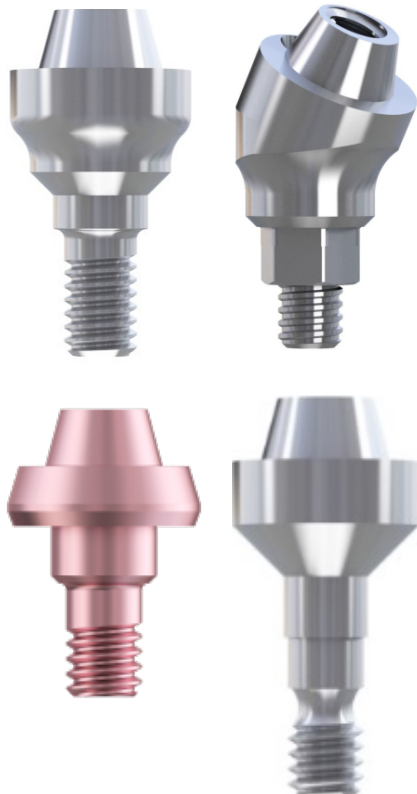
TRI®-Octa Prosthetics

Through Research Innovative

Impression Transfer Components

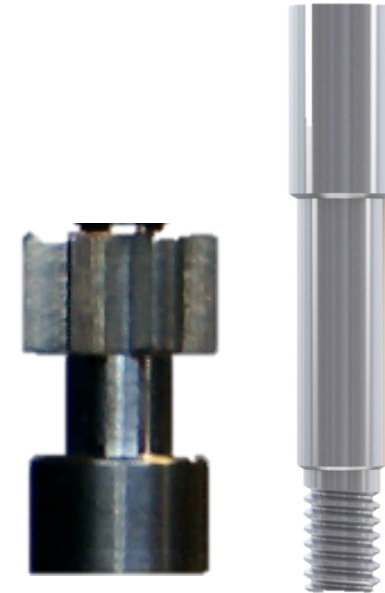
TRI[®]-Narrow & TRI[®]-Vent & TRI[®]-Octa

Direct impression Screw retained Abutment – TV40 & TV50-34-F



Direct transfer for
screw-retained universal
abutment
inclusive
retaining screw

- for open-tray technique



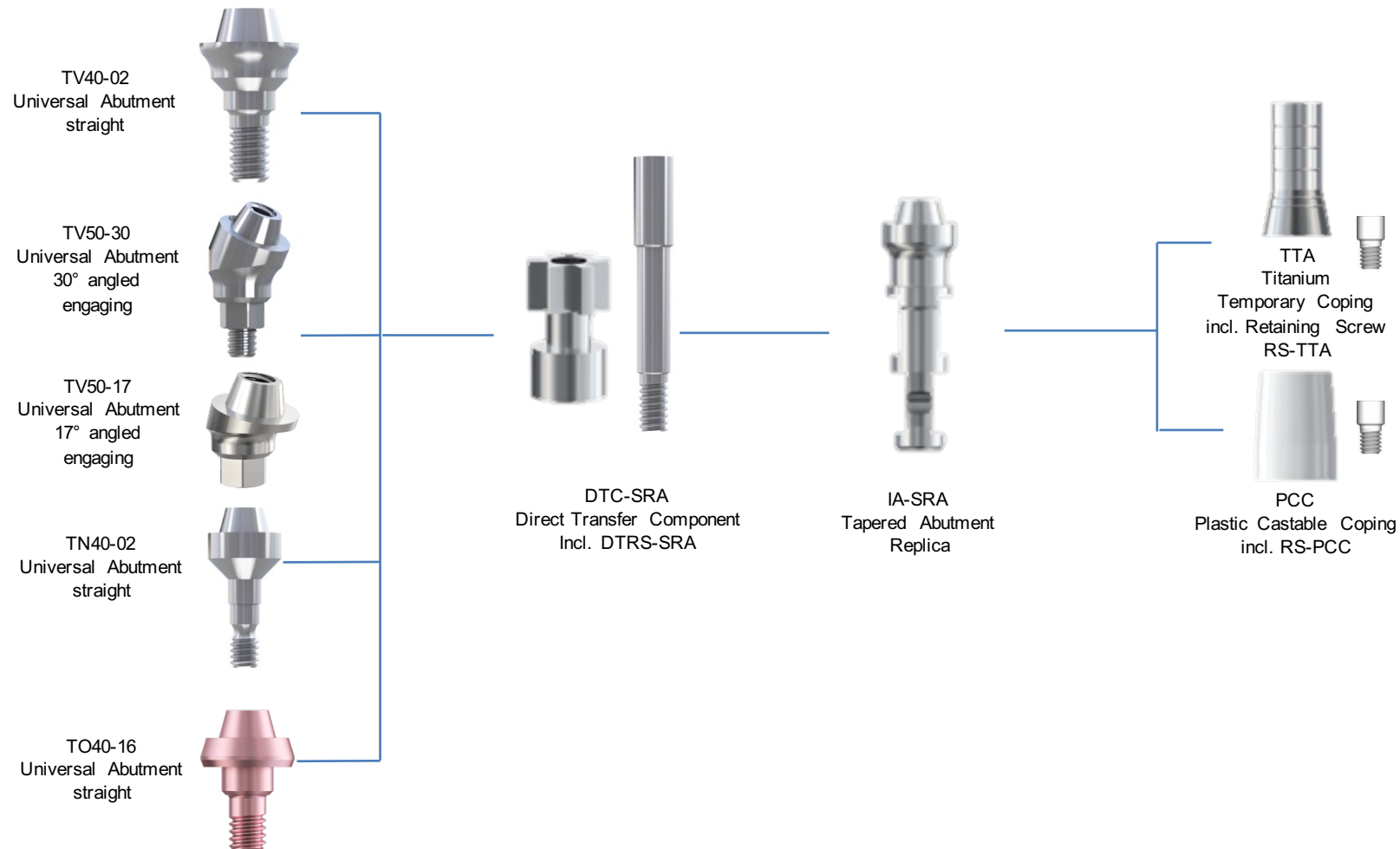
Through Research Innovative

Screw Retained Prosthetic

Components for Screw Retained Universal - Abutments

Straight: TRI[®]-Vent, TRI[®]-Narrow & TRI[®]-Octa
Angled: TRI[®]-Vent

- Flow Chart



Impression Transfer Components

TRI[®]-Narrow & TRI[®]-Vent & TRI[®]-Octa

Direct impression Screw retained Abutment – TV40 & TV50-34-F



DTRS-SRA

DTC-SRA

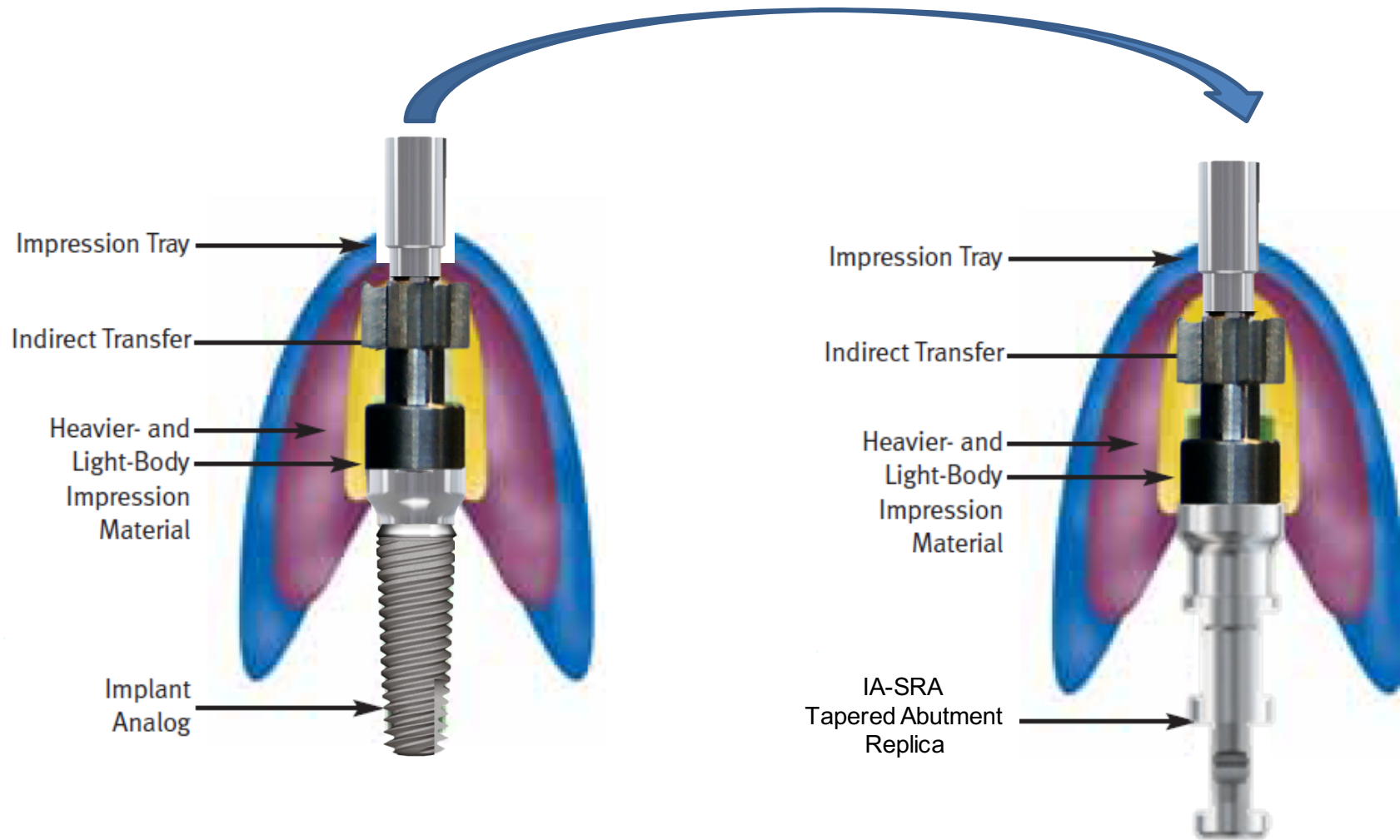
TV-40-02

Through Research Innovative

Impression Transfer Components

TRI[®]-Narrow & TRI[®]-Vent & TRI[®]-Octa

Indirect Impression



Impression Transfer Components

TRI[®]-Narrow & TRI[®]-Vent & TRI[®]-Octa

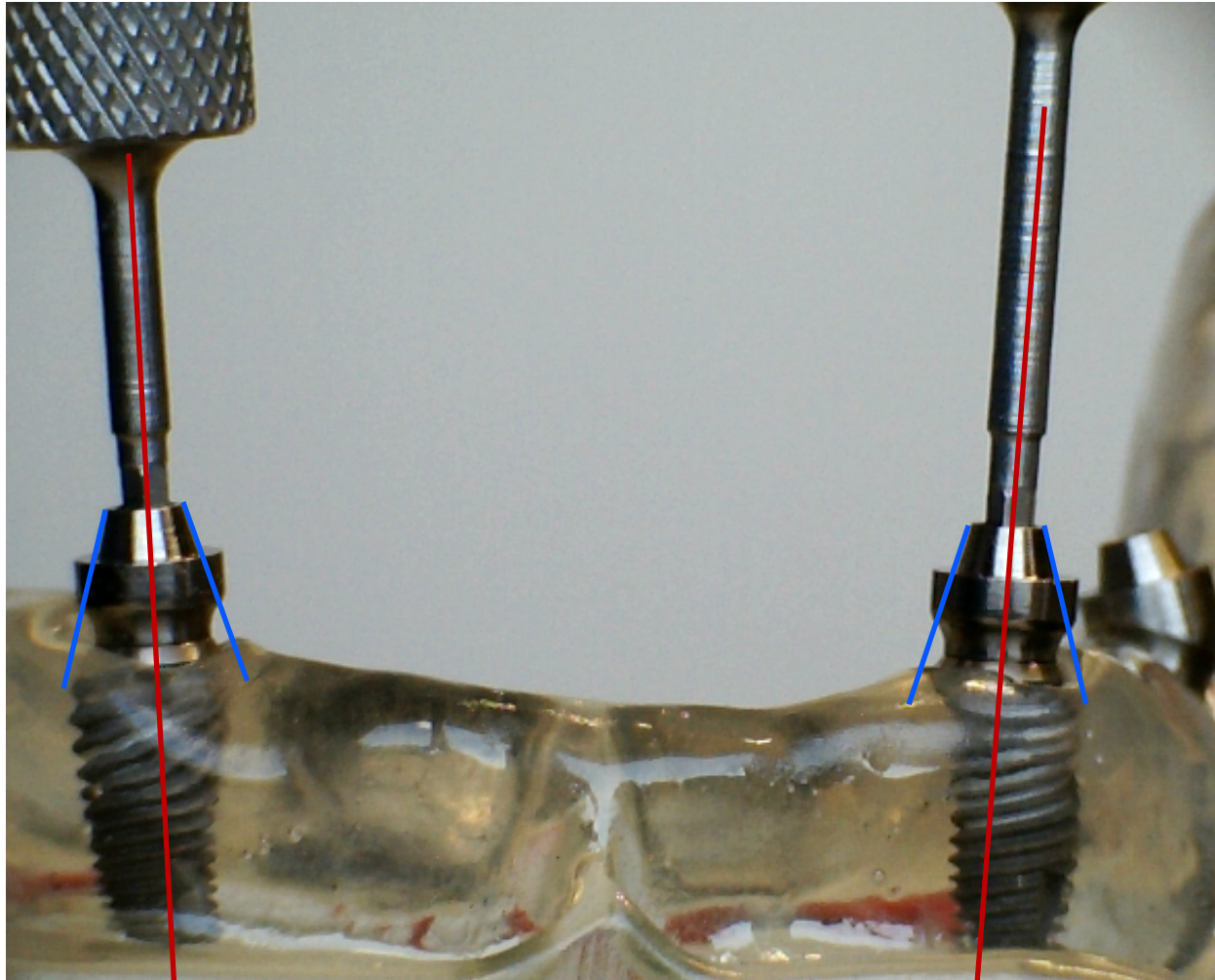


- Disparallel implant axial directions

Through Research Innovative

Impression Transfer Components

TRI[®]-Narrow & TRI[®]-Vent & TRI[®]-Octa



- The 15° cone angle permits a corresponding correction of disparallelism.

- Disparallel implant axial directions

Through Research Innovative

Impression Transfer Components

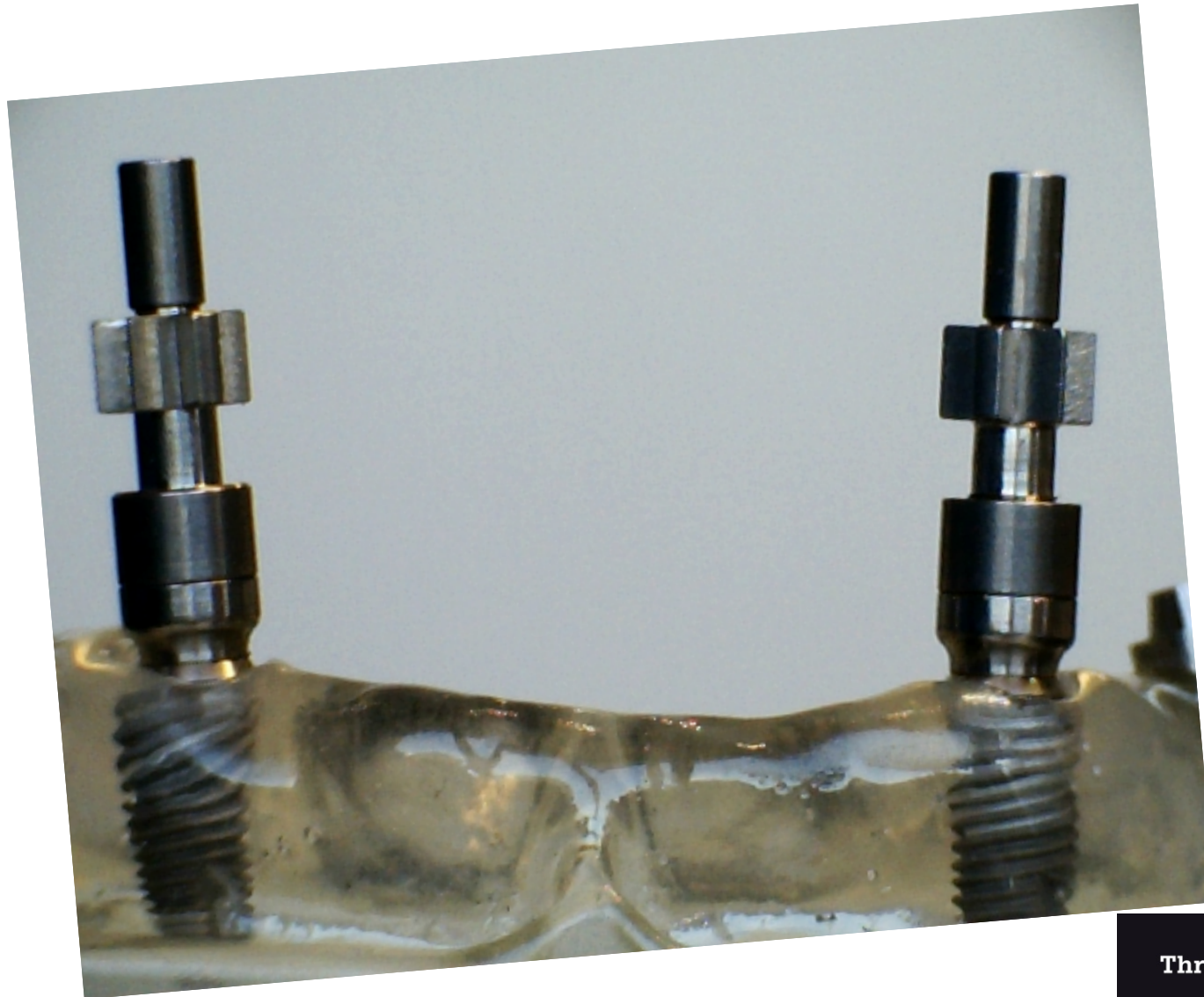
TRI[®]-Narrow & TRI[®]-Vent & TRI[®]-Octa



Through Research Innovative

Impression Transfer Components

TRI[®]-Narrow & TRI[®]-Vent & TRI[®]-Octa

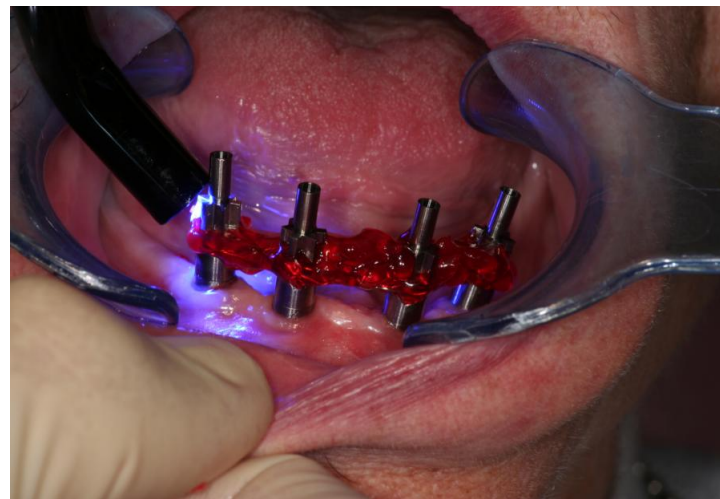
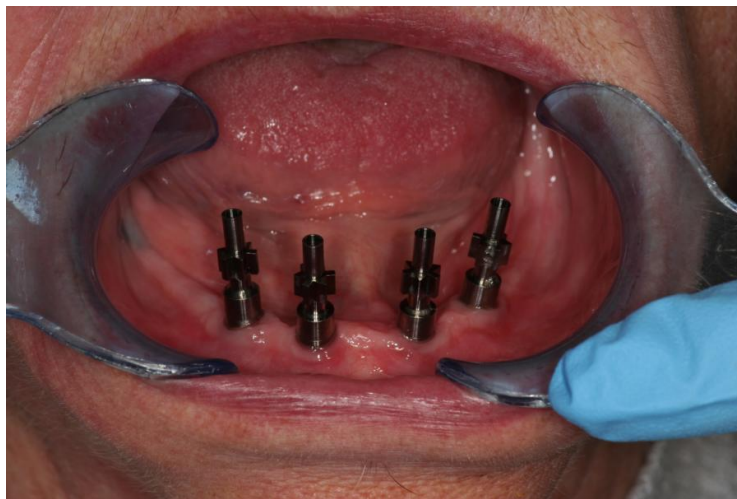


Through Research Innovative

Impression Transfer Components

TRI[®]-Narrow & TRI[®]-Vent & TRI[®]-Octa

Direct impression Screw retained Abutment – TV40 & TV50-34-F



Final abutment insertion and impression taking.
Impression is made on abutment directly with open tray technique.

Through Research Innovative

Screw Retained Prosthetics

Universal Screw Retained Abutment – Straight Product Catalogue TRI® -Vent, TRI® -Narrow & TRI® -Octa

Components for Screw-Retained Restorations

SCREW-RETAINED ABUTMENT

Catalog Number		Ø	CH	Material	Qty	Sterile
TV40-01	Screw-Retained Abutment, Straight	4,5 mm	1,0 mm	Ti-6Al-4V	1	
TV40-02	Screw-Retained Abutment, Straight	4,5 mm	2,0 mm	Ti-6Al-4V	1	
TV40-04	Screw-Retained Abutment, Straight	4,5 mm	4,0 mm	Ti-6Al-4V	1	
TV40-06	Screw-Retained Abutment, Straight	4,5 mm	6,0 mm	Ti-6Al-4V	1	
TV50-34-F	Screw-Retained Abutment, 30° with TRI®-Friction	4,5 mm	3,0 mm	Ti-6Al-4V	1	
HCSRAS	Healing Cap for Screw-Retained Abutment, Straight			Ti-6Al-4V	1	






TV40-02 TV50-34-F

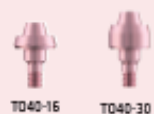
Catalog Number		Ø	CH	Material	Qty	Sterile
TN40-02	Screw-Retained Abutment, Straight	4,5 mm	2,0 mm	Ti-6Al-4V	1	
TN40-04	Screw-Retained Abutment, Straight	4,5 mm	4,0 mm	Ti-6Al-4V	1	
HCSRAS	Healing Cap for Screw-Retained Abutment			Ti-6Al-4V	1	



TN40-02

SCREW-RETAINED, MULTI UNIT ABUTMENT, STRAIGHT

Catalog Number		Ø	GH	Material	Qty	Sterile
TO40-16	Screw-Retained Abutment, Straight	4,5 mm	1,6 mm	Ti-6Al-4V	1	
TO40-30	Screw-Retained Abutment, Straight	4,5 mm	3,0 mm	Ti-6Al-4V	1	
HCSRAS	Healing Cap for Screw-Retained Abutment, Straight			Ti-6Al-4V		
TTA	Titanium Temporary Abutment incl. screw RS-TTA			Ti-6Al-4V	1	
RS-TTA	Replacement Retaining Screw for TTA			Ti-6Al-4V	1	
RS-TTAL	Replacement Retaining Screw Long for TTA			Ti-6Al-4V	1	
DTC-SRA	Direct Transfer Component for Screw-Retained Abutment incl. DTRS			Ti-6Al-4V	1	
DTRS-SRA	Direct Transfer Retaining Screw			Ti-6Al-4V	1	
IA-SRA	Tapered Abutment Replica			Ti-6Al-4V	1	
PCC	Plastic Castable Coping incl. screw RS-PCC			POM	1	
RS-PCC	Replacement Retaining Screw for PCC			Ti-6Al-4V	1	
RS-PCC-Lab	Replacement Retaining Screw - Lab Use - Blue			Ti-6Al-4V	1	



TO40-16 TO40-30



TTA PCC



DTC-SRA IA-SRA

CH = Cuff Height

Torques

Torques to be used with the TRI® Dental Implant System

